



An Ovivo Company

VAREC BIOGAS 247 Series HIGH PRESSURE MANUAL DRIP TRAP

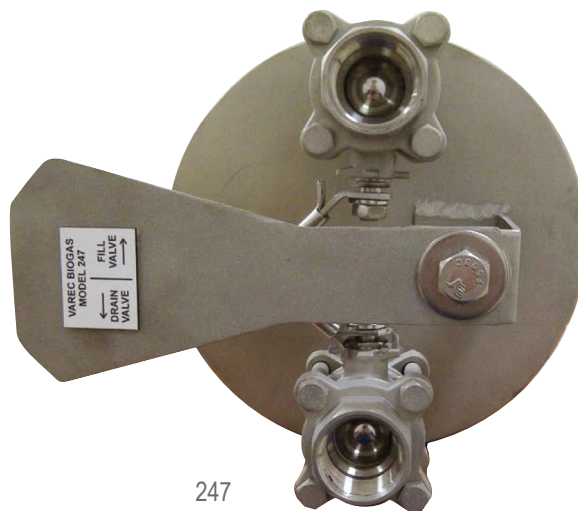
The 247 Series High Pressure Manually Operated Drip Traps are designed for collection and safe removal of condensate from high pressure gas piping.

Introduction

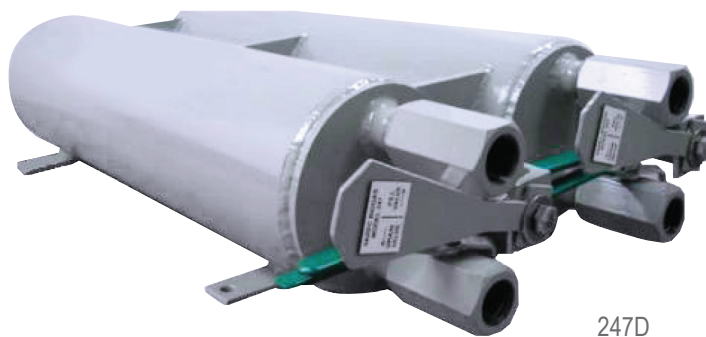
Condensate removal from gas piping systems is necessary to protect piping and equipment from possible damage caused by corrosion or water hammer. In addition, water lying in low spots in piping can restrict gas flow resulting in increased pressure drop within the system. In addition to all low spots, Varec Biogas drip traps should be installed frequently along horizontal piping runs for convenient removal of accumulated condensate.

The Varec Biogas 247 Series Drip Trap is suitable for working pressure up to 100 psig (688 kPa). For systems with lower pressure ratings, see the product data sheet for Varec Biogas 246 Series Low Pressure Drip Traps.

The 247D Low Profile High Pressure Drip Trap is also rated for a maximum working pressure of 100 psig (688 kPa). This unit is typically installed at low points in the gas piping downstream of booster or compressors. The 247D is ideal for blower and compressor skids because it can be installed low to the ground while providing a larger reservoir for condensate collection. It is also perfect for use with multi-stage compressors where the water must be drained from two chambers with different pressures.



247



247D

Operation

The Varec Biogas 247 Series Drip Trap is designed to prevent gas from escaping while draining. The double-seal ball plug valves and locking lever, isolate the gas line connection before opening the drain port.

Condensate accumulates in the drip trap reservoir and is drained manually by operating the valve handles. When all accumulated condensate has been drained, the handles are returned to the "fill" position and locked in place.

Design Features

- Double - seal ball plug valves
- Low profile, dual chamber design
- 100 PSIG (688 kPa) working pressure
- 4 & 6 Qt. capacity reservoir
- Dual chamber capacity: 10, 15 & 20 Qt.
- Locking lever secures handle position
- All 316 SS option available

Specifications

Connections

Inlet and Outlet 1" NPT Threaded

Maximum Working Pressure

100 psig (688 kPa)

Reservoir Sizes

4.0 Quart (3.8 L)

6.0 Quart (5.7 L)

Low Profile, Dual Chamber Design

10 Quart per Chamber

15 Quart per Chamber

20 Quart per Chamber

Materials

Body, Cover Plate, Disc & Handle

Carbon Steel Body

Ball Valves include Carbon Steel Body with SS Trim

Low Profile, Dual Chamber Design

Carbon Steel Body

Epoxy Coated External Surface (Standard)

Internal Parts & Hardware

Ball Valves are Carbon Steel with SS Trim

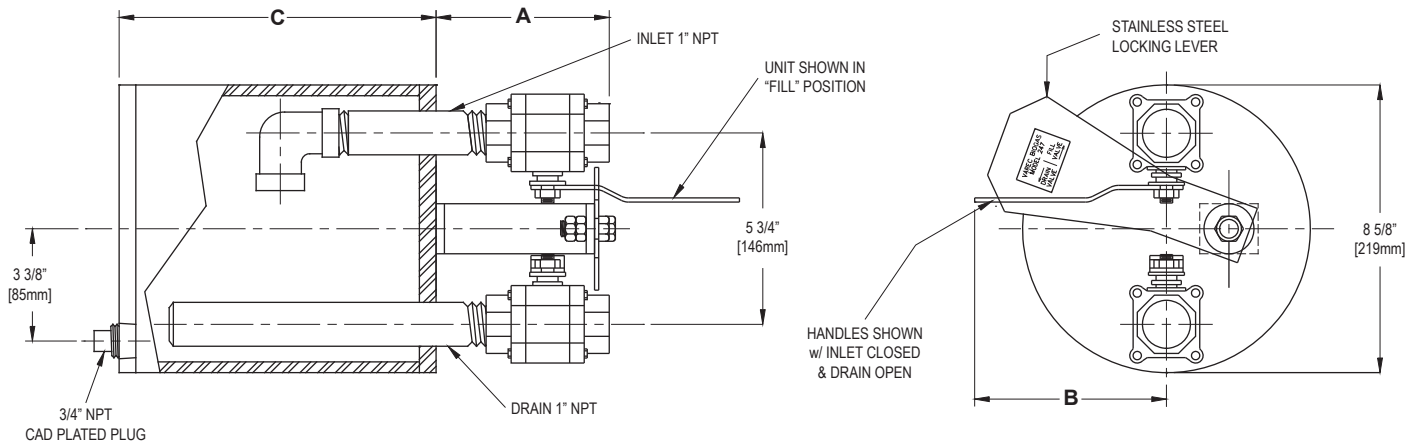
Optional

All 316 SS Construction

Dimensions and Weight, inches [mm] and lbs. (kg)

Model	2474	2476	24741	24761
A	4 ⁷ / ₈ [123]	4 ⁷ / ₈ [123]	5 ³ / ₁₆ [131]	5 ³ / ₁₆ [131]
B	5 ¹ / ₈ [130]	5 ¹ / ₈ [130]	5 ³ / ₄ [146]	5 ³ / ₄ [146]
C	9 ¹ / ₂ [241]	13 ⁵ / ₈ [346]	9 ¹ / ₂ [241]	13 ⁵ / ₈ [346]
Shipping Weight	45 (20)	55 (25)	45 (20)	55 (25)

247 REFERENCE DRAWING



Ordering Information

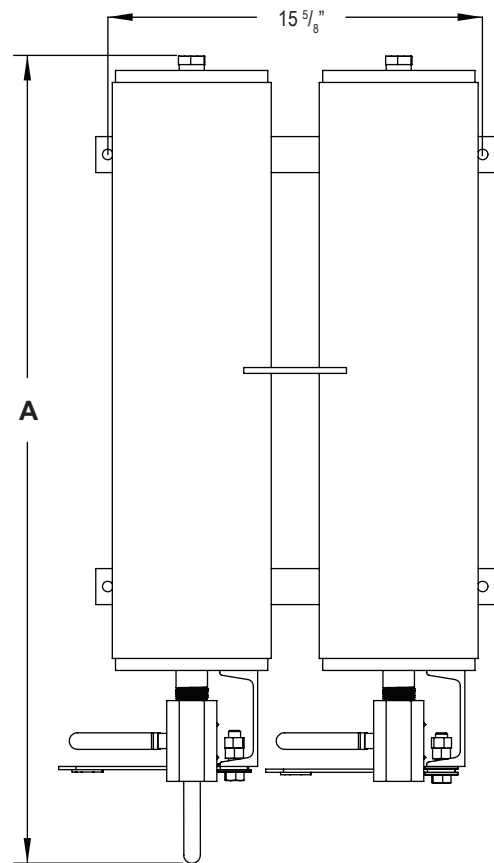
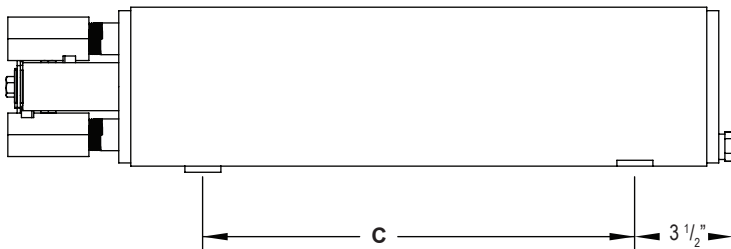
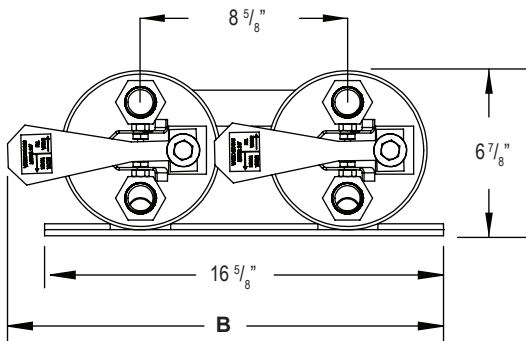
Model	Description	Code	Reservoir Size	Code	For Local Control Panel Use
247	High Pressure Manual Drip Trap	4	4.0 Quart (3.8 L)	*	Leave blank for Carbon Steel, Ball Valves with Carbon Steel Body & SS trim
		6	6.0 Quart (5.7L)	1	All 316 SS

247 6 * (Example)
 Example: 6 Quart High Pressure Manual Drip Trap, Carbon Steel, Ball Valves with Carbon Steel Body and SS Trim

Specifications

Dimensions and Weights, inches [mm] and lbs. (kg)

Capacity	10	15	20
A Maximum Length	33 ⁵ / ₈ [854]	45 ⁵ / ₈ [1159]	57 ⁵ / ₈ [1464]
B Maximum Width	18 ¹ / ₈ [460]	18 ¹ / ₈ [460]	18 ¹ / ₈ [460]
C Anchor Hole Separation	18 [457]	30 [762]	42 [1067]
Shipping Weight	118 (53.6)	137 (62.3)	156 (70.9)



247D REFERENCE DRAWING

NOTE: Consult factory if special vessel dimensions are required.

Ordering Information

Model 247D **Description** High Pressure Manual Low Profile Dual Chamber Drip Trap, 100 psig Max Working Pressure

Code	Size
10C	10 Quart per Chamber Capacity Epoxy Coated Steel
10S	10 Quart per Chamber Capacity 316 SS
15C	15 Quart per Chamber Capacity Epoxy Coated Steel
15S	15 Quart per Chamber Capacity 316 SS
20C	20 Quart per Chamber Capacity Epoxy Coated Steel
20S	20 Quart per Chamber Capacity 316 SS

247D 15S (Example)
Example: High Pressure Manual Low Profile Dual Chamber Drip Trap, 15 Quart Capacity per Chamber, All 316 SS Construction