



An Ovivo Company

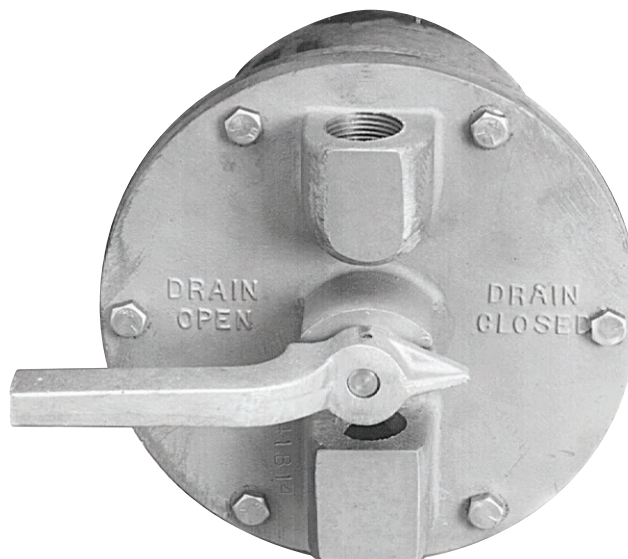
VAREC BIOGAS 246 Series LOW PRESSURE MANUAL DRIP TRAP

The 246 Series Drip Traps are designed for the collection and safe manual removal of condensate from gas.

Introduction

The Varec Biogas 246 Series Drip Traps are designed for the manual collection and safe removal of condensate from gas. Condensate removal from gas piping systems is necessary to protect piping and equipment from possible damage caused by corrosion or water hammer. In addition, water lying in low spots in the pipe can restrict gas flow resulting in increased pressure drop. Varec Biogas drip traps should be installed at all low points in horizontal pipe runs for convenient removal of accumulated condensate.

The Series 246 Drip Trap is suitable for working pressures up to 5 psig (34.5 kPa). For systems with higher pressure ratings, see the product data sheet for Varec Biogas 247 Series High Pressure Drip Traps.



Operation

The Varec Biogas 246 Series Drip Traps are designed to prevent gas from escaping while draining. The disc, ports, and “O” ring seals are positioned to block gas before opening the drain outlet ensuring that gas does not escape. Simple rotation of the 246 Series handle allows accumulated condensate in the drip trap reservoir to be drained manually. The disc position ensures that when the trap is draining, the inlet port is blocked.

For installations that are not easily accessible to manual operation, the 246AT Model drip trap is available. See Product Data Sheet for the 246AT.

Design Features

- Corrosion Resistant Aluminum Construction
- Positive Seal Against Gas Escape
- 2.5 and 6 Quart Reservoir Capacity
- 5 psig (34.5 kPa) Working Pressure
- Manual Operation

Specifications

Dimensions and Weight, inches [mm] and lbs. (kg)

Dimensions and Weight, inches [mm] and lbs. (kg)	2	6
Sized Code	2	6
A	7 [178]	7 [178]
B	8 3/4 [222]	8 3/4 [222]
C	11 3/8 [171]	12 3/8 [314]
D	6 3/4 [171]	7 3/4 [197]
Shipping Weight	13 (5.9)	17 (7.7)

Connections

Inlet and Outlet 1" NPT Threaded

Materials

Body, Cover Plate, Disc & Handle
356 T6 Low Copper Cast Aluminum

Internal Parts & Hardware

Stainless Steel

"O" Rings

Neoprene

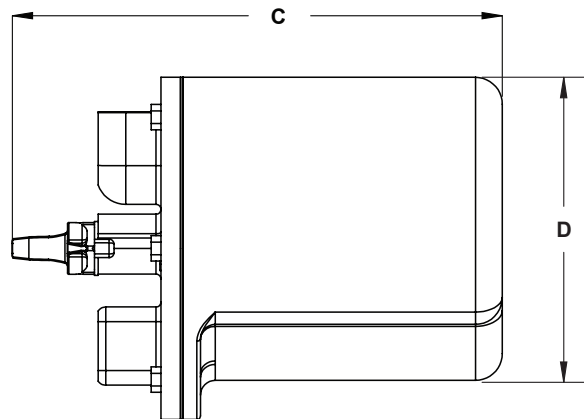
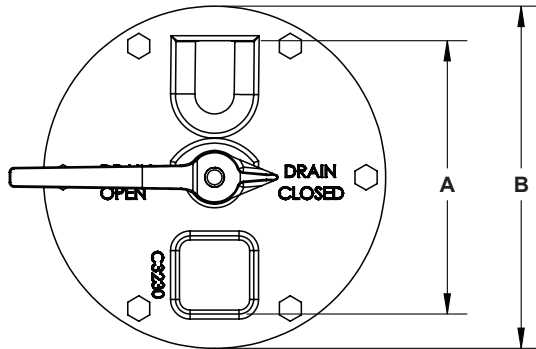
Maximum Working Pressure

5 psig (34.5 kPa)

Reservoir Sizes

2.5 Quart (2.4 L)

6.0 Quart (5.7 L)



Ordering Information

Model
246 **Description**
Low Pressure Manual Drip Trap

Code	Size
2	2.5 Quart (2.4L)
6	6.0 Quart (5.7L)

246 6 (Example)
Example: 6 Quart Low Pressure Manual Drip Trap